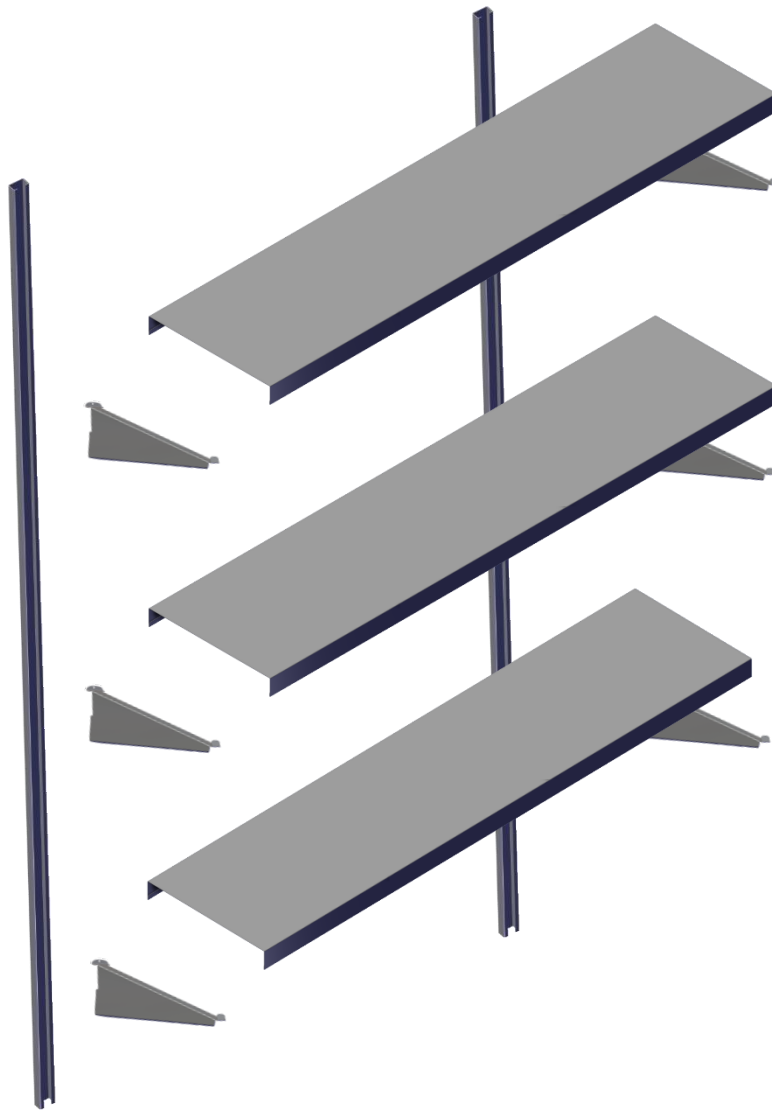


Visu

By Sheldon



Clean Shelf System
Design and Installation Guide

Visu Clean Shelf

Design and Installation Manual

Part Number (Manual): 4861780

Revision: November 30, 2016



Visu Clean Shelf is produced in the United States under license by Sheldon Manufacturing.

EMAIL: support@shellab.com

PHONE: 1-800-322-4897 extension 4 or (503) 640-3000 FAX: (503) 640-1366

Sheldon Manufacturing INC.

P.O. Box 627

Cornelius, OR 97113

TABLE OF CONTENTS

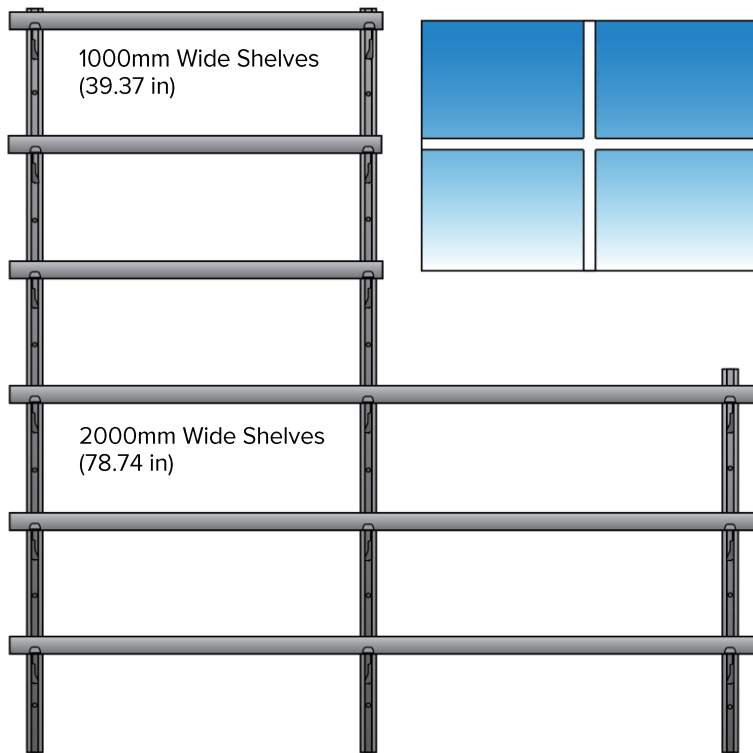
Design	4
<i>System Components</i>	4
<i>Height Options</i>	5
<i>Width and Depth Options</i>	6
<i>Brackets</i>	7
INSTALLATION	9
<i>Tools</i>	9
<i>Unwrap Components</i>	9
<i>Warnings and Cautions</i>	9
<i>Fasteners</i>	9
<i>Instructions</i>	10

SYSTEM COMPONENTS

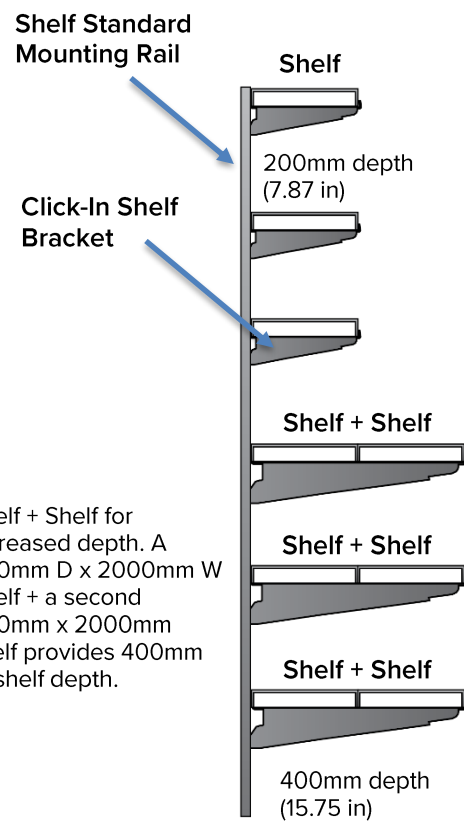
Visu Clean Shelf is a modular system of stainless steel shelving components. Use these to design and build a shelving system customized to your environment.

- Click-In Shelves
- Click-In Shelf Brackets
- Shelf Standards (Mounting Rails)

Example Design



Front

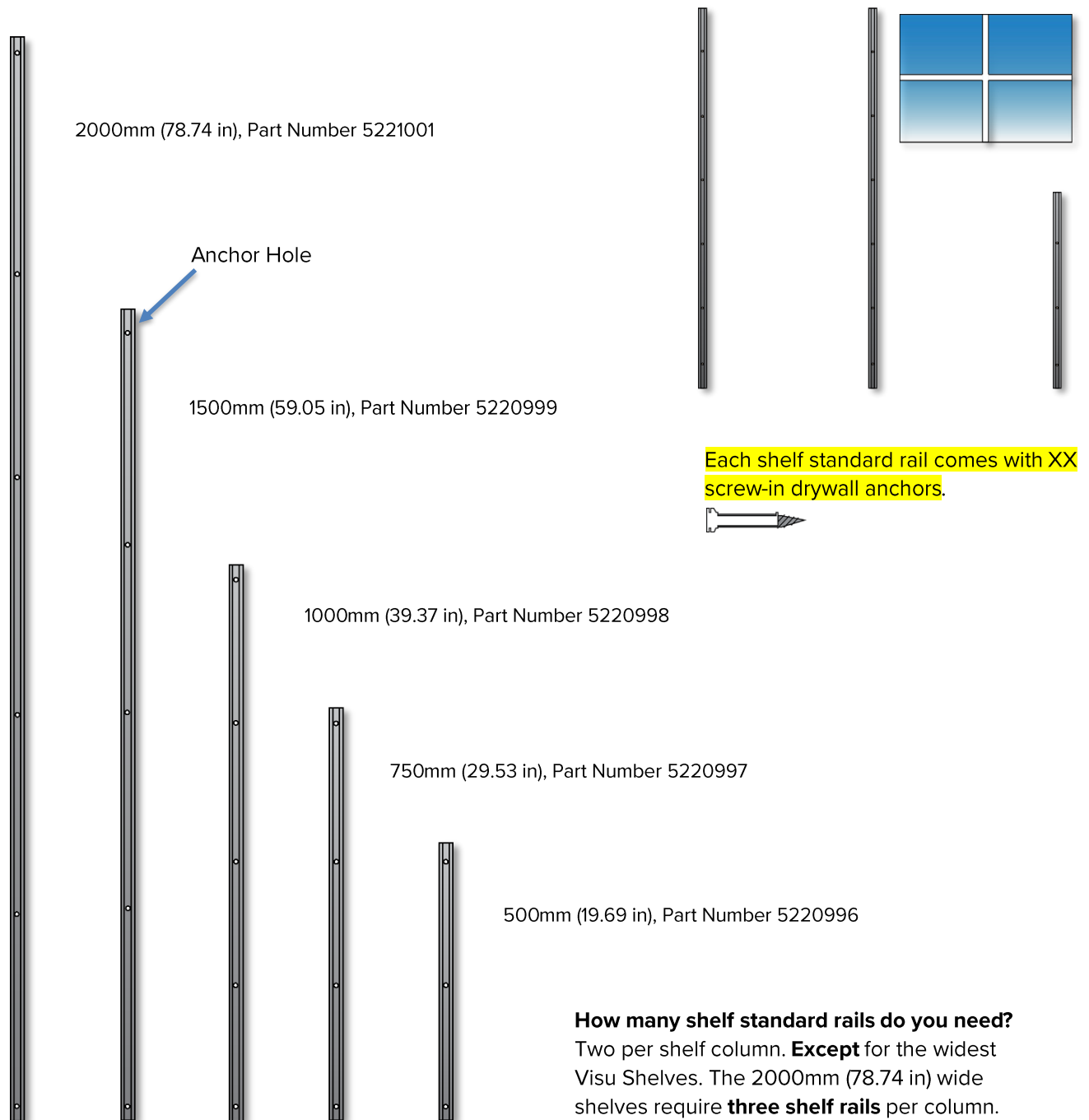


Side

DESIGN

HEIGHT OPTIONS

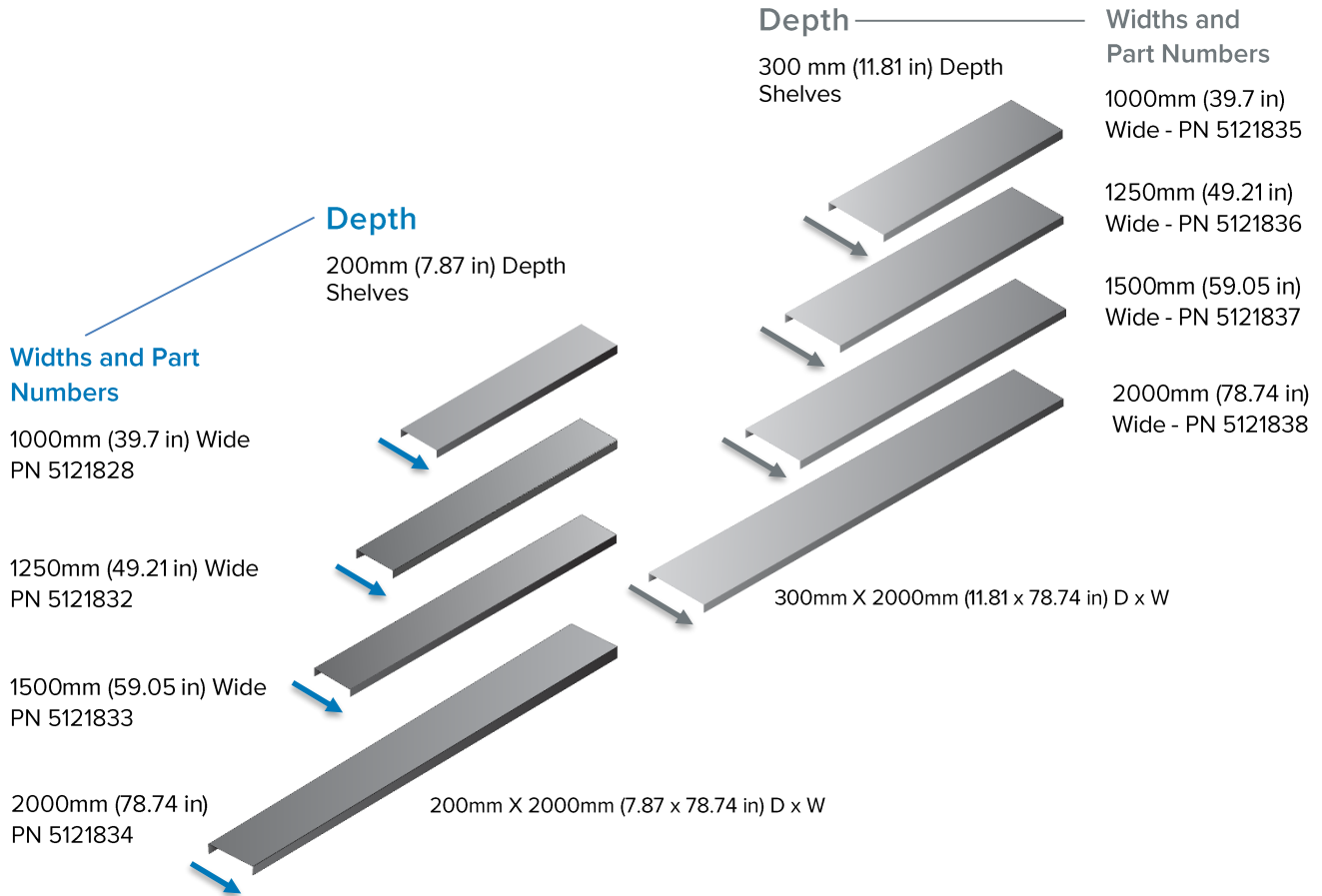
The Clean Shelf system is constructed around shelf standard rails. Choose from the following rail heights.



DESIGN

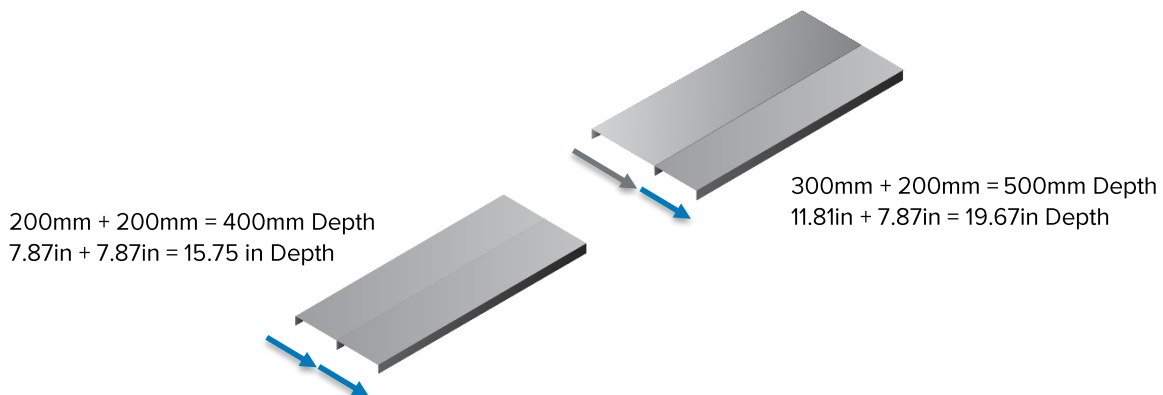
WIDTH AND DEPTH OPTIONS

Choose the depth and width of the click-in shelves.



Shelf + Shelf = Increased Depth!

Shelf brackets are available to support two depth combinations for all shelf widths.



DESIGN

BRACKETS

Choose brackets based on the shelf depths.

- Each 2000mm (78.74 in) wide shelf requires a minimum of **three shelf brackets**.
- All other shelves require a minimum of **two brackets each**.

Shelf brackets snap into the shelf standard rails and sit secure without the use of a fastener. A screw is provided with all brackets for optional use to provide extra stability in regions at risk for earthquakes.

For 200mm Depth Shelves (7.87 in)

Part Number **9751239**, 1 Each



For 300mm Depth Shelves (11.81 in)

Part Number **9751240**, 1 Each



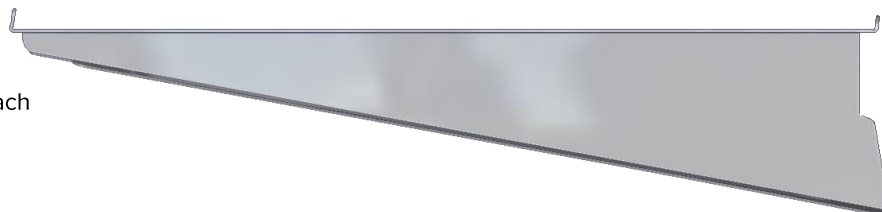
For 200mm +200mm Shelf + Shelf Combo (7.87 in + 7.87 in)

Part Number **9751241**, 1 Each



For 200mm +300mm Shelf + Shelf Combo (7.87 in + 11.81 in)

Part Number **9751242**, 1 Each



Visu

INSTALLATION

TOOLS

- Phillips-head screw driver
- Hand drill with drill bits
- Level
- Safety glasses
- Stud finder (Optional)
- Step ladder (Optional)
- Tape measure

WARNINGS AND CAUTIONS

- Read all instructions prior to installation.
- **The maximum safe load for each shelf is 250lbs (113kg) on each shelf.** Never exceed this limit.
- **The total maximum drywall weight for a shelving system is 90lbs x number of drywall anchors.** Other wall types provide varying levels of support.
- Prior to drilling, verify there are no electrical conduits, gas lines, water lines, or other hazard sources inside the wall in proximity to the shelf system anchor points.



UNWRAP COMPONENTS

Remove or unpeel shipping wrappings prior to installing the shelf system components. The wrappings are intended to prevent scratching during shipment.

FASTENERS

The Visu shelf standard rails are supplied with heavy-duty screw-in drywall anchors and are intended to be secured to drywall. These anchors may not be suitable for walls containing insulation, which can prevent the anchors from securing properly.

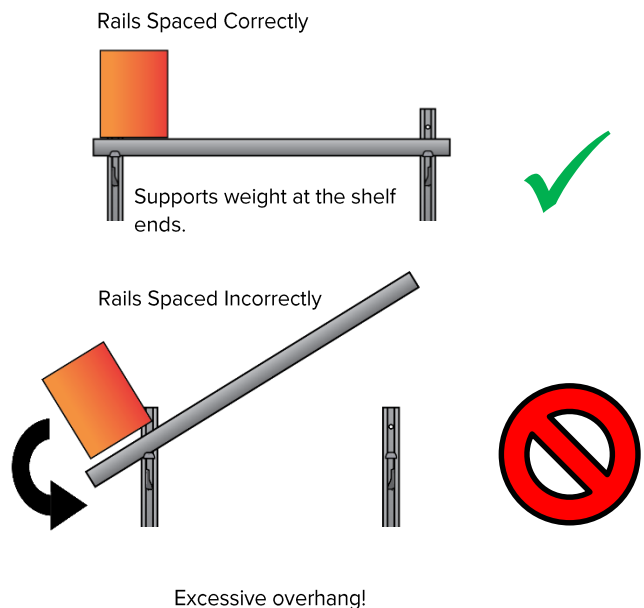
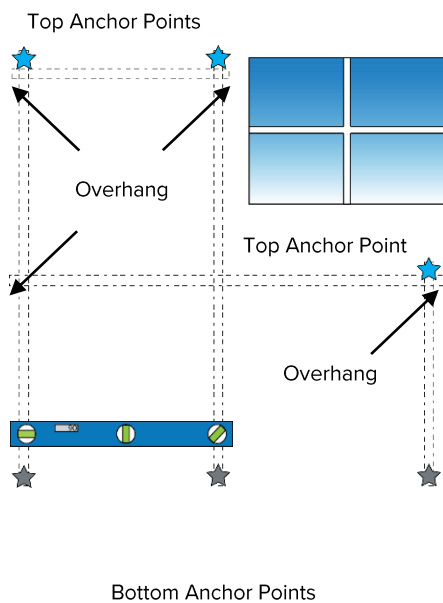
Obtain appropriate fasteners for mounting the unit on other surfaces. Consult the fastener manufacturer or distributor regarding the suitability of fasteners for surfaces such as concrete or mounting into wall studs.

Verify that surfaces other than drywall can safely support the Visu shelving system and the weight you will place on it.

INSTALLATION

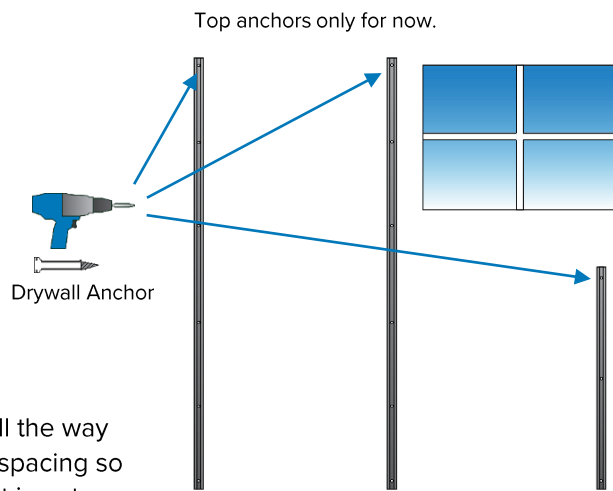
INSTRUCTIONS

1. Mark the locations of the top fastener holes of the standard rails on the wall.
 - o The shelf standard rails should be spaced so that there will only be **1 – 2 inches of shelf overhang** outside the brackets and rails.
 - o 2000mm (78.74 in) wide shelves required **at least 3 shelf standard rails** for each column of shelves. All other shelf widths require a minimum of **2 rails** per shelf column.



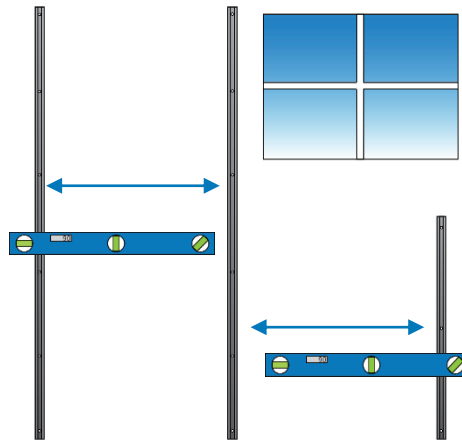
2. Hang the shelf standards.
 - a. Place the standard against the wall.
 - b. Align top anchor hole in the rail with the top anchor point on the wall.
 - c. Drill the drywall anchor or other fastener most of the way into the wall through the anchor hole.
 - d. Repeat for all shelf standard rails.

Note: Do not drill the drywall anchor all the way into the wall at this time. Leave a little spacing so that each standard can be adjusted if it is not hanging straight up and down.

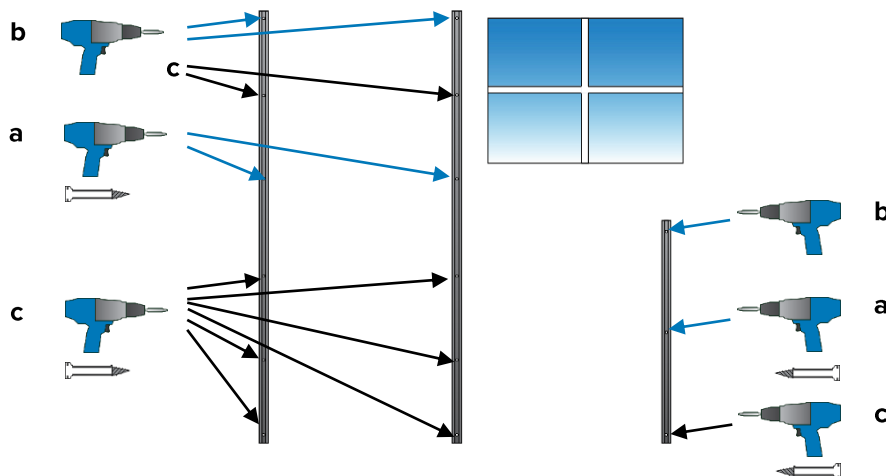


INSTALLATION

3. Verify that the shelf standard rails are correctly spaced and parallel to one another.
 - Adjust as necessary.
 - Use of a level is recommended.



4. Secure the shelf standard rails
 - a. Drill in the drywall anchors or other fasteners into the middle of the rails or as close to the middle as possible.
 - b. Finish drilling in the anchors on the top ends.
 - c. Drill in the rest of the anchors.



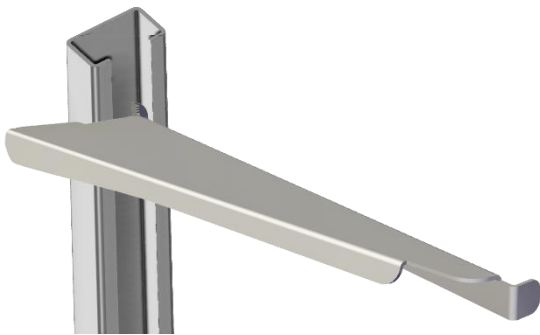
INSTALLATION

5. Inset the Shelf Brackets into the Shelf Standard Rails.

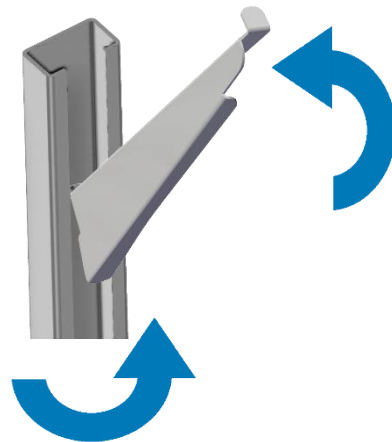
Optional: the brackets may be secured using the optional “seismic” screw included with the bracket.



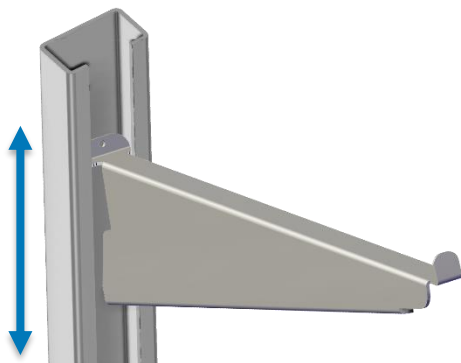
- a. Inset the foot of the bracket into to the rail body.



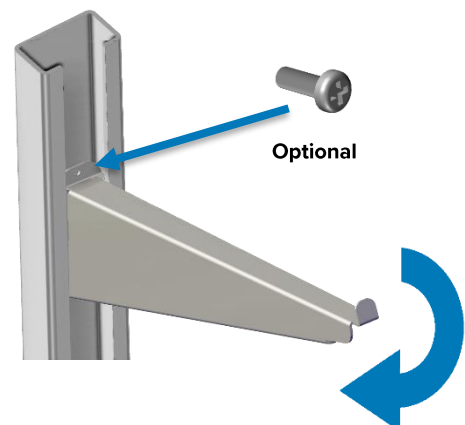
- b. Turn the bracket 90° and pull up.



- c. Adjust position of the brackets as needed.

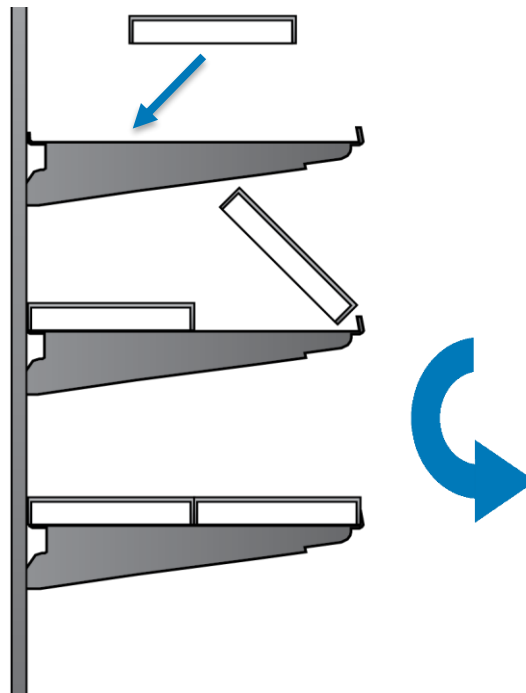
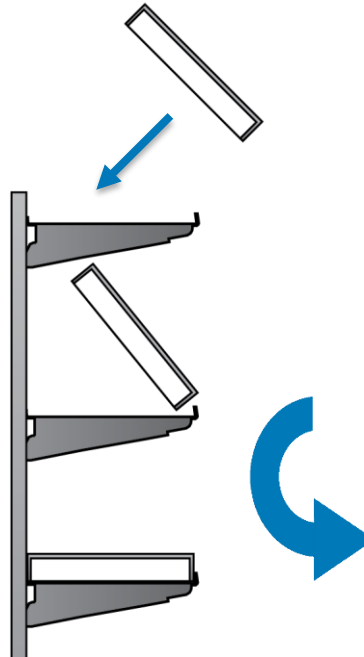


- d. Click the bracket into place by pulling down.



INSTALLATION

6. Click the shelves into place on the shelf brackets.



Procedure complete

Visu

By Sheldon

SHELDON
MANUFACTURING.INC

Sheldon Manufacturing Inc.
P.O. Box 627
Cornelius, Oregon 97113
USA

EMAIL: support@cascadetek.com
INTERNET: cascadetek.com
PHONE: 1-888-835-9250